

Metered Rack PDU

Rack PDU, Metered, Zero U, 5.7kW, 120V, (42)5-20



APC Metered Rack PDU , Input: 208V 3PH ,
Input Connections: NEMA L21-20P , Cord
Length: 3 feet (0.91 meters) , Output: 120V ,
Output Connections: NEMA 5-20R

Includes: Installation guide, Rack Mounting
brackets, Toolless Mounting Kit, User Manual

Standard Lead Time: Usually in Stock

AP7862 Features

Toolless Mounting Capabilities	Units do not require additional tools to mount into APC NetShelter VX, which allows the users to quickly and easily mount units in the rear of the enclosure.
Vertical Mounting Capabilities	Easily mounts vertically in racks or enclosures and occupies zero U of valuable rack space, which allows more equipment in the rack. Units that mount vertically are optimized to fit in a NetShelter VX enclosures.

Metered Rack PDU Features & Benefits

Availability	
Remote Management Capabilities	Full-featured network management interfaces that provide standards-based management via Web, SNMP, and Telnet. Allows users to access, configure, and manage units from remote locations to save valuable time. Associated with this feature is the ability to quickly and easily upgrade the firmware via network download to installed units for future product enhancements. (Note: Only applicable for units categorized as Networked).
Local Current Monitoring Display	The aggregate current draw per power distribution unit is displayed on the unit via a digital display. The local digital display helps installers avoid overloaded circuits by providing a visible warning when the current draw is close to the maximum amperage draw of the strip.
Alarm Thresholds	Define alarm thresholds in order to avoid overloaded circuits. Network and visual alarms inform the user of possible problems. (Note: Only available on units with the current monitoring capabilities. Please see SKU specifications for availability)
Load indicator LED	Indicates overload and warning conditions based on the user-defined alarm thresholds. Alerts users of potential overloaded circuits.
Integrates with InfraStruXure Central	An IT-ready, scalable monitoring system that collects, organizes, and distributes critical alerts, surveillance video and key information, providing a unified view of complex physical infrastructure environments from anywhere on the network
Flash Upgradeable	Quickly and easily upgrade firmware via network download for future product enhancements. Eliminates the need to replace products already installed in the field when new features are released. (Note: Networked units only)
Agility	
Rack-Mountable	Includes horizontal, vertical, and toolless-mount varieties. Puts power where it is needed most - in the racks near the equipment.
Single input power source	Supply power from one branch whip to multiple pieces of equipment, conveniently powering rack-mount equipment. Saves time and money during installation by using one branch whip and standard connections.
Wide range of input and output connections	Product family includes a variety of input and output connections to distribute 120V, 208V, or 230V power to multiple outlets. Having a variety of inputs and outputs allow users to adapt to varying power requirements. APC offers units that bring up to 14.4kW using a single branch whip.

Output

Nominal Output Voltage	120V
Maximum Total Current Draw per Phase	16A
Output Connections	(42) NEMA 5-20R
Always on Outlets	42
Overload Protection	No



Input

Nominal Input Voltage	208V 3PH
Input Frequency	50/60 Hz
Regulatory Derated Input Current (North America)	16A
Input Connections	NEMA L21-20P
Cord Length	0.91 meters
Number of Power Cords	1
Maximum Input Current per phase	20A
Load Capacity	5700 VA

Physical

Net Weight	5.46 KG
Maximum Height	1778.00 mm
Maximum Width	56.00 mm
Maximum Depth	44.00 mm
Shipping Weight	8.86 KG
Shipping Height	2134.00 mm
Shipping Width	152.00 mm
Shipping Depth	127.00 mm
Color	Black

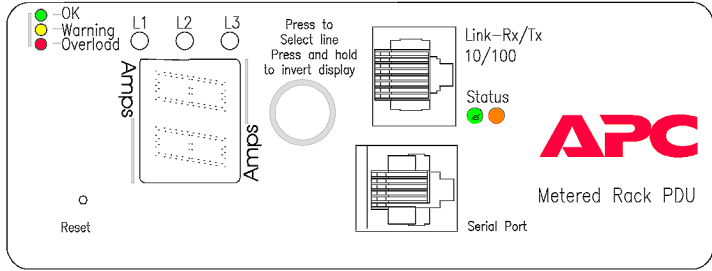
Environmental

Operating Environment	0 - 45 °C
Operating Relative Humidity	0%
Operating Elevation	0-3000 meters
Storage Temperature	-25 - 65 °C

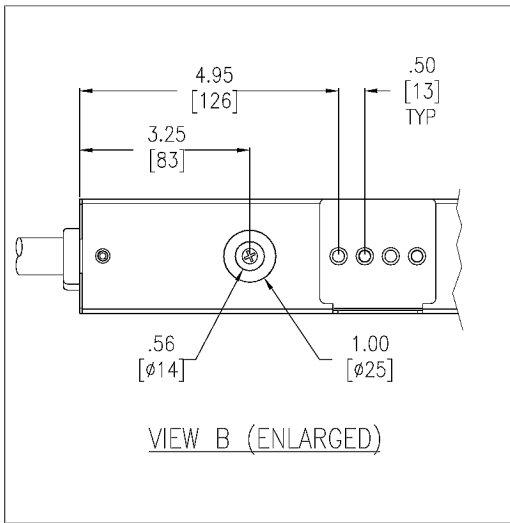
Storage Relative Humidity	0%
Storage Elevation	0-15000 meters

Conformance

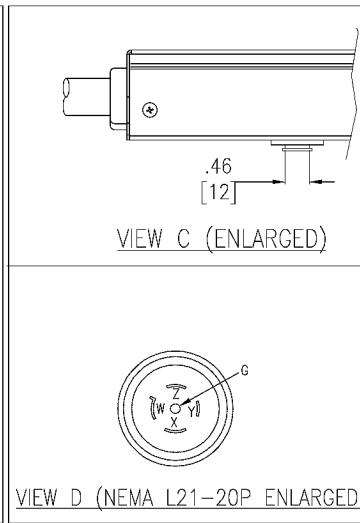
Regulatory Approvals	cUL Listed,cUL Recognized,CSA C22.2 No. 42,CSA C22.2 No. 60950-1-03,FCC Part 15 Class A,UL 60950-1,UL Listed
Standard Warranty	2 years repair or replace



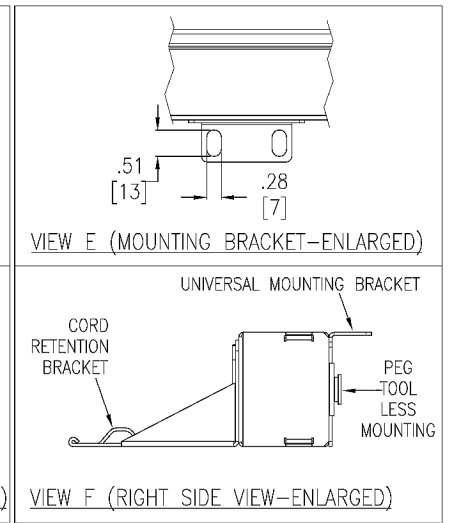
VIEW A (ENLARGED-DISPLAY INTERFACE)



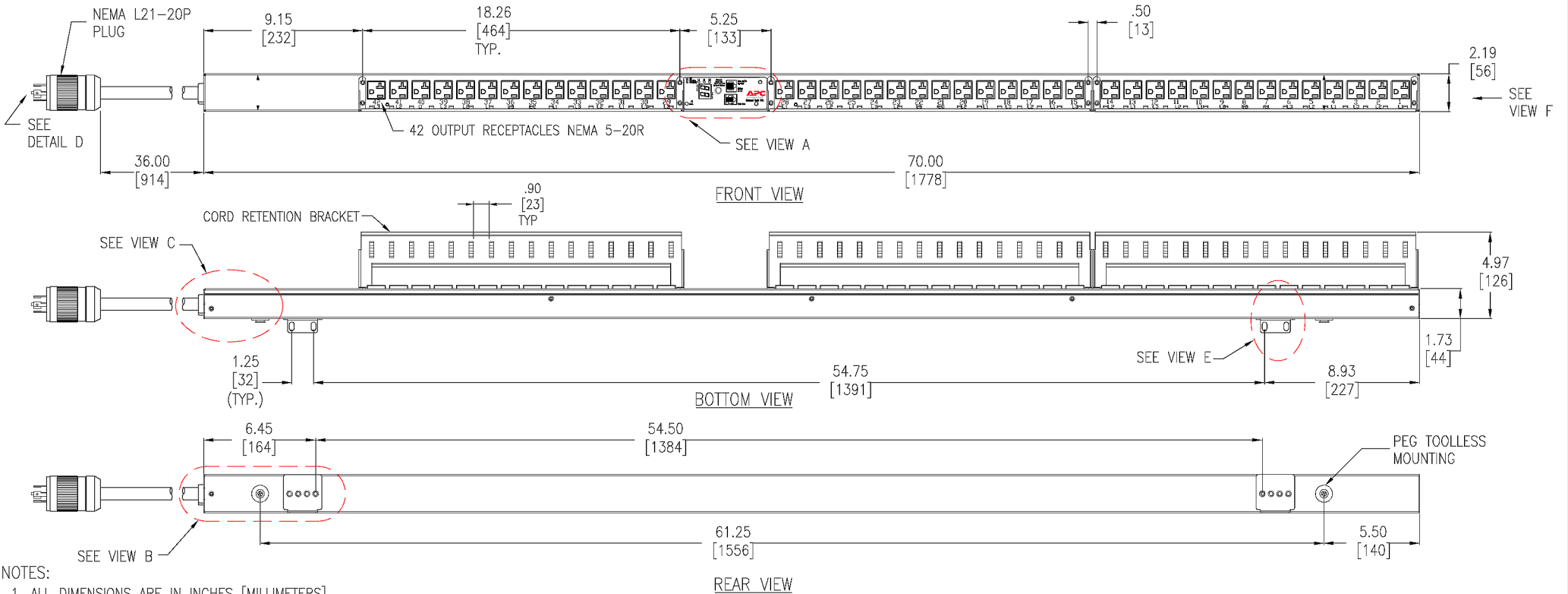
VIEW B (ENLARGED)



VIEW C (ENLARGED)
VIEW D (NEMA L21-20P ENLARGED)



VIEW E (MOUNTING BRACKET-ENLARGED)
VIEW F (RIGHT SIDE VIEW-ENLARGED)



NOTES:

1. ALL DIMENSIONS ARE IN INCHES [MILLIMETERS].
2. NET WEIGHT IS 12.5 LBS [5.7kg]
3. UNIVERSAL MOUNTING BRACKET IS AN ALTERNATIVE MOUNTING METHOD TO THE TOOLLESS MOUNT FOR NON APC RACKS.
4. BRACKET KITS TO MOUNT TO SPECIFIC COMPETITORS RACKS ARE AVAILABLE AS OPTIONS.
5. INSTALLATION MUST COMPLY WITH ALL APPLICABLE NATIONAL AND LOCAL CODES.

THIS DRAWING AND SPECIFICATIONS HEREIN ARE THE PROPERTY OF AMERICAN POWER CONVERSION AND SHALL NOT BE COPIED, REPRODUCED OR USED IN WHOLE OR IN PART, AS THE BASIS FOR THE MANUFACTURE OR SALE OF ITEMS WITHOUT WRITTEN PERMISSION FROM APC. THIS DRAWING IS BASED UPON LATEST AVAILABLE INFORMATION AND IS SUBJECT TO CHANGE WITHOUT NOTICE.

TITLE:	RACK PDU, METERED	DWG NO:	AP7862-MM1	REV:	1
	ZERO U, 5.7kW, 120V, INPUT: NEMA L21-20P	DRAWN BY:	C KRISHNA		
	OUTPUT: (42) NEMA 5-20R	CHECKED BY:	T.HORSTMANN		
	MAIN MECHANICAL	ENGINEER:	J.RING/ E.SILVA		
PROJECT:	SUBMITTAL DRAWING	SHEET	1 OF 2		



ISOMETRIC VIEW



THIS DRAWING AND SPECIFICATIONS HEREIN ARE THE PROPERTY OF AMERICAN POWER CONVERSION AND SHALL NOT BE COPIED, REPRODUCED OR USED IN WHOLE OR IN PART, AS THE BASIS FOR THE MANUFACTURE OR SALE OF ITEMS WITHOUT WRITTEN PERMISSION FROM APC. THIS DRAWING IS BASED UPON LATEST AVAILABLE INFORMATION AND IS SUBJECT TO CHANGE WITHOUT NOTICE.

TITLE: RACK PDU, METERED
 ZERO U, 5.7KW, 120V, INPUT: NEMA L21-20P
 OUTPUT: (42) NEMA 5-20R
 ISOMETRIC VIEW

PROJECT: SUBMITTAL DRAWING SHEET 2 OF 2

DWG NO: AP7862-MM2 REV. 1

DRAWN BY: C KRISHNA

CHECKED BY: T.HORSTMANN

ENGINEER: J.RING/ E.SILVA





Metered Rack PDU

Overview

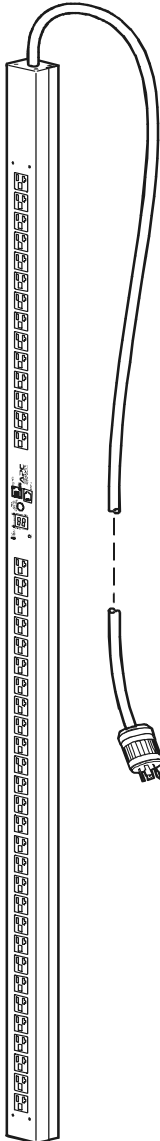
The American Power Conversion® Metered Rack PDU distributes power to devices in the rack. It has a sensor that measures the current that it and its attached devices use. It can be monitored through Web, Telnet, SNMP, SSH, or InfraStruXure™ Manager interfaces.

Outlets. The Rack PDU has forty-two (42) NEMA 5-20 outlets.

Display interface. A digital display shows aggregate current being used by the Rack PDU.

Power cord. The 3-foot (0.91-meter) power cord terminates with a NEMA L21-20 connector.

AP7862





Specifications for AP7862

Electrical

Input connector	NEMA L21-20 plug
Output connectors	(42) NEMA 5-20 outlets
Nominal input voltage	120/208 VAC 3-phase
Acceptable input voltage	± 10% of normal voltage
Input frequency	47–63 Hz

Physical

(H × W × D)	70.00×2.19×1.73 in (177.80×5.56×4.39 cm)
Shipping dimensions (H × W × D)	84.00×6.00×5.00 in (213.36×15.24×12.7 cm)
Weight	12 lb (5.4 kg)
Shipping weight	19.5 lb (8.8 kg)

Environmental

Maximum elevation (above MSL)	
Operating	15 000 ft (4500 m)
Storage	50 000 ft (15 000 m)
Temperature	
Operating	–5 to 45° C (23 to 115° F)
Storage	–25 to 65° C (–13 to 149° F)
Humidity	
Operating	5–95% RH Non-condensing
Storage	5–95% RH Non-condensing

Compliance

EMC verification	FCC Part 15 Class A ICES-003 Class A
Safety verification	UL, cUL 60950



990-1951